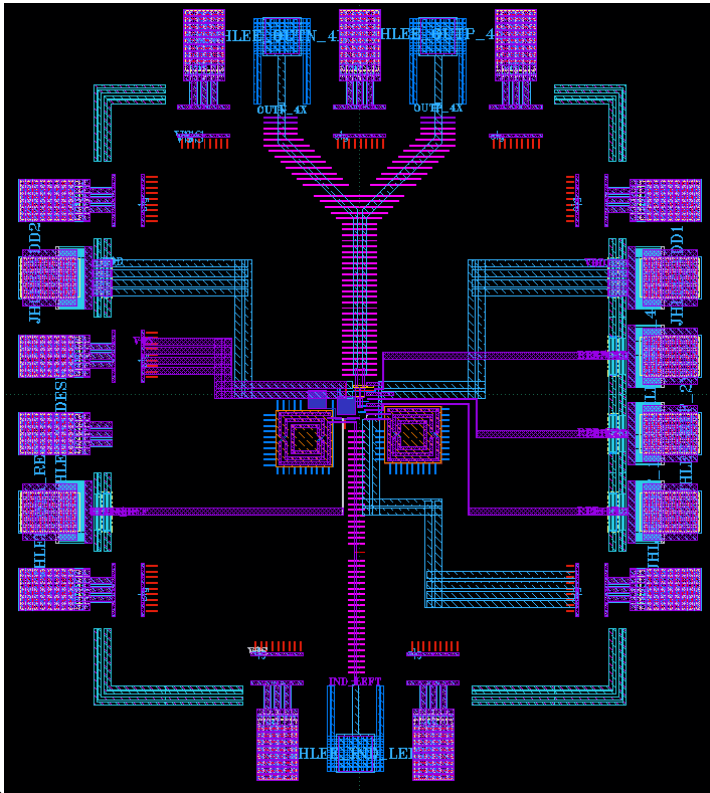


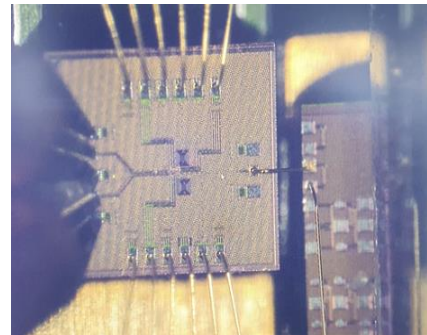
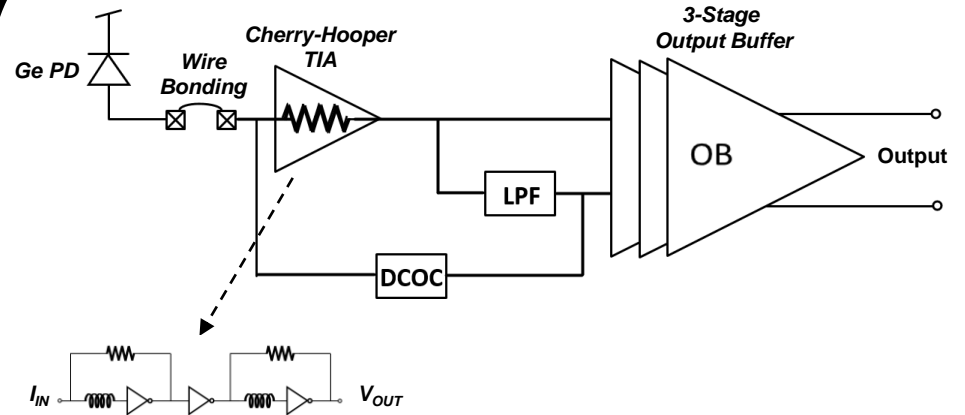
2021-2 Works

Samsung 28nm LPP 12.5Gbps Optical Rx

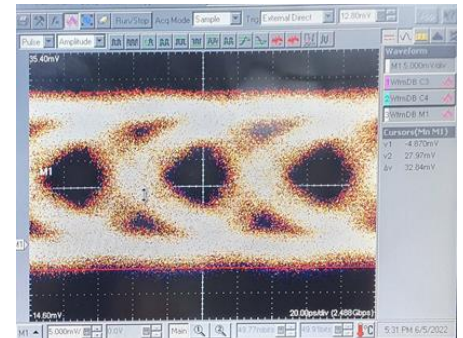
2021.10



T354 1550nm Photodetector & Measurement



Hybrid integration
PD & TIA

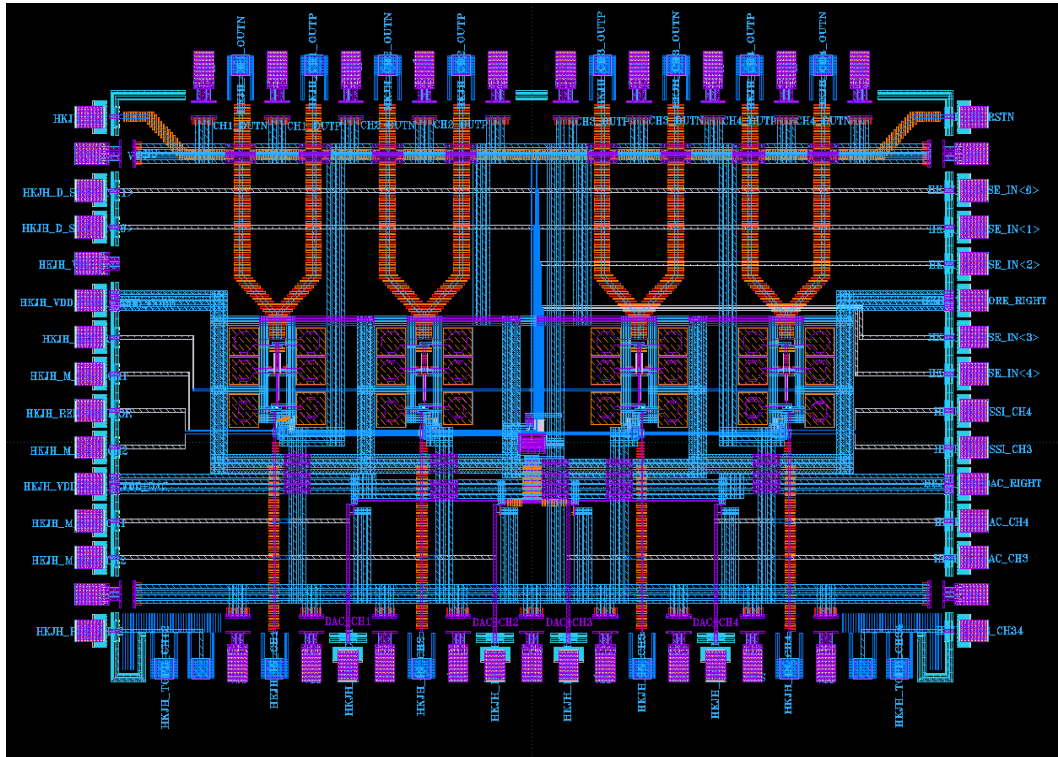


12.5Gbps Eye diagram

2022-1 Works

**Samsung 28nm LPP
4λ, 28Gbaud/λ PAM4 WDM receiver**

2022.04



**Samsung 28nm LPP
CMOS APD & Monolithic Optical Rx**

2022.07

