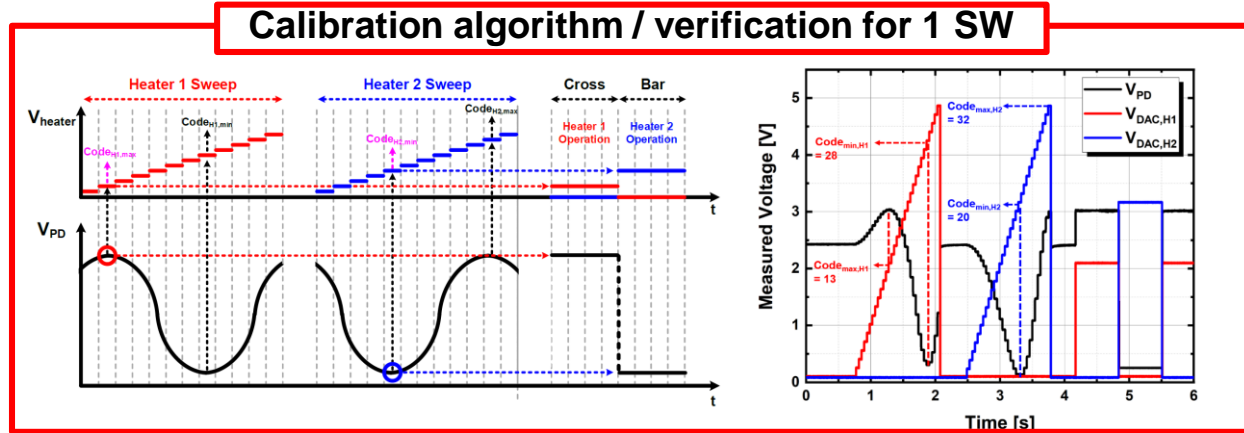
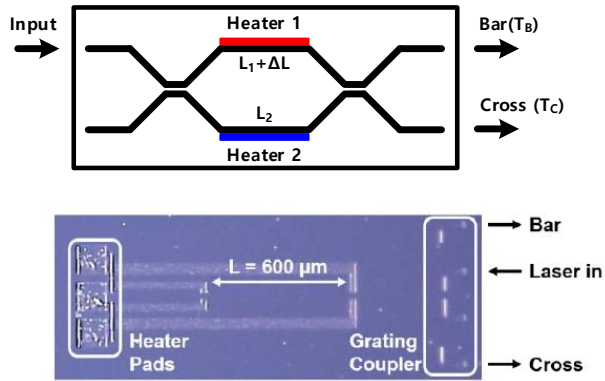
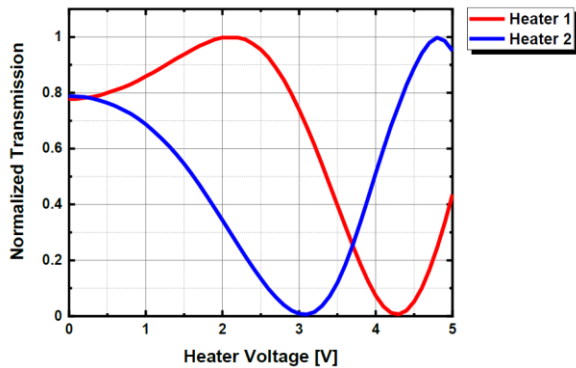


# Automatic PV Calibration for MZI Switch Matrix

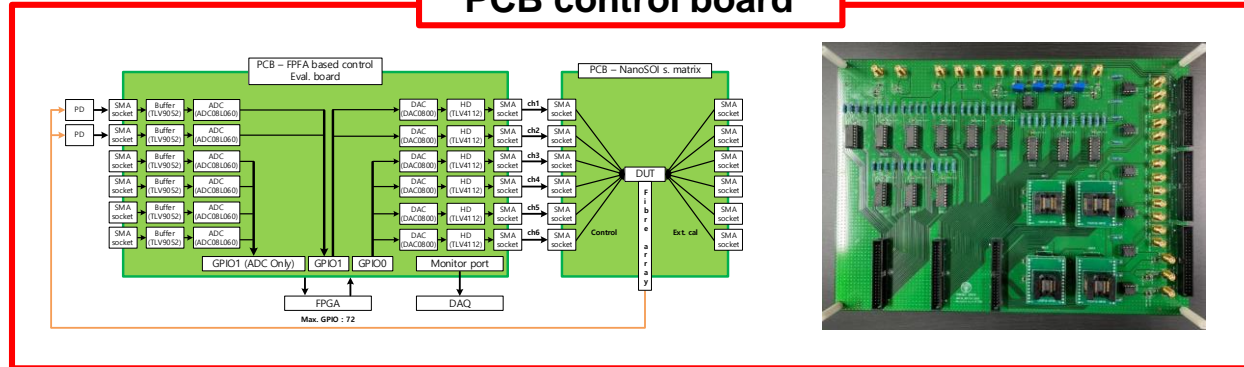


< MZI with process variation >



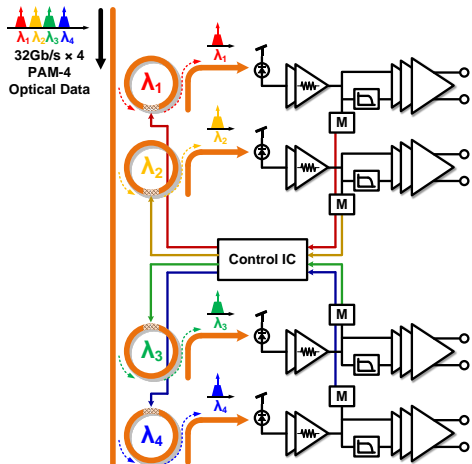
< Characteristic curve >

## PCB control board

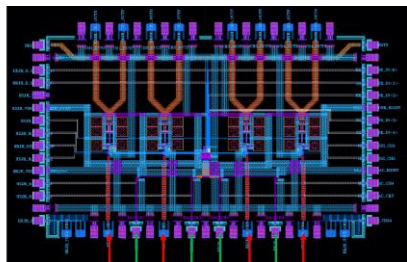


# Automatic $\lambda_{res}$ Calibration for RRF based WDM Rx

## Designed Chip



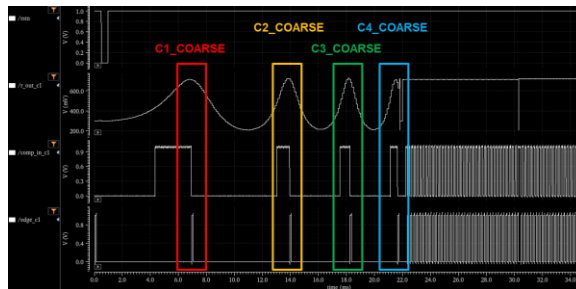
Electronic IC



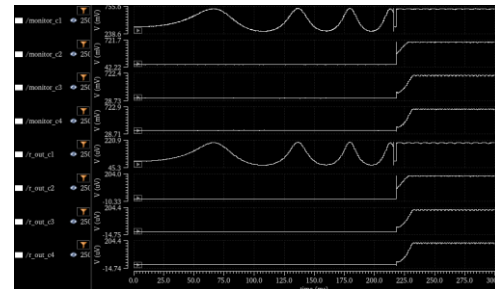
Photonic IC



## Calibration Process

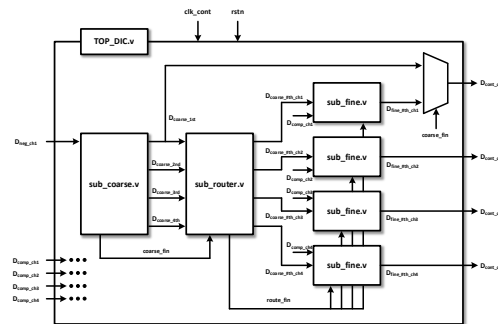


< Coarse Tuning >

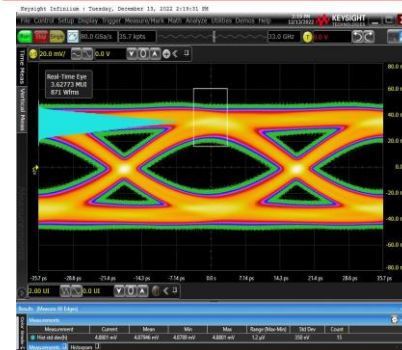


< Fine Tuning >

## Cal. Algorithm Flow

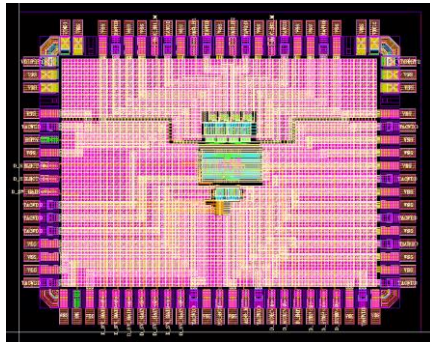
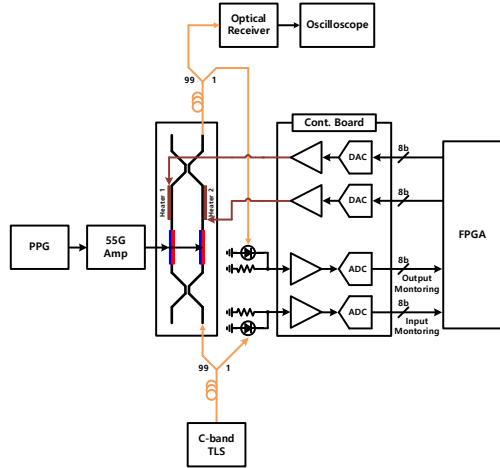


## Eye Diagram (28G)

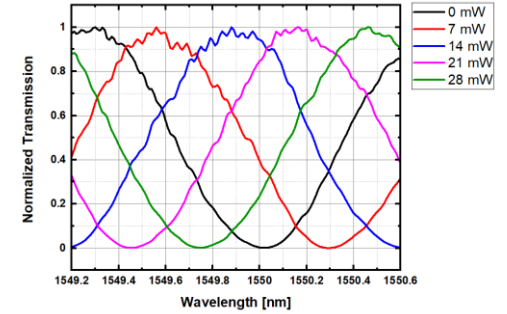
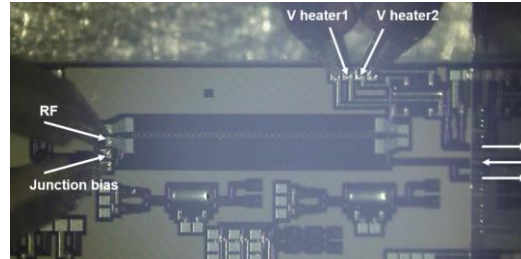


# Automatic Bias Control for MZM

## System Implementation



## Target PIC



## Bias Control Process

