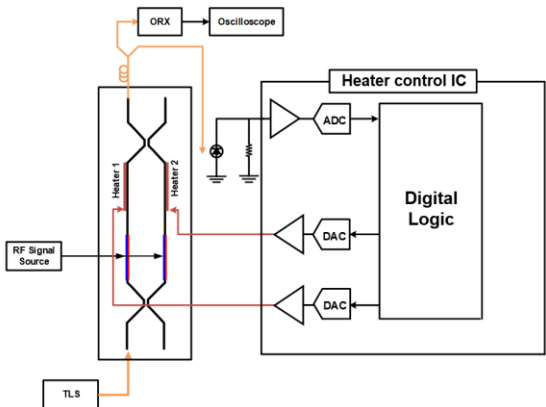
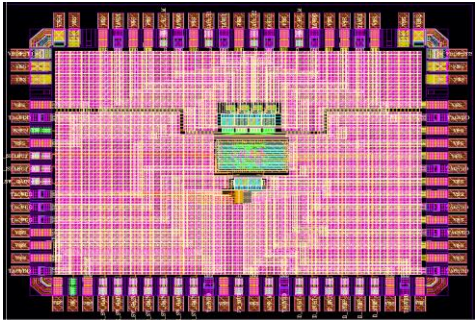


Heater control IC for MZM

Designed chip



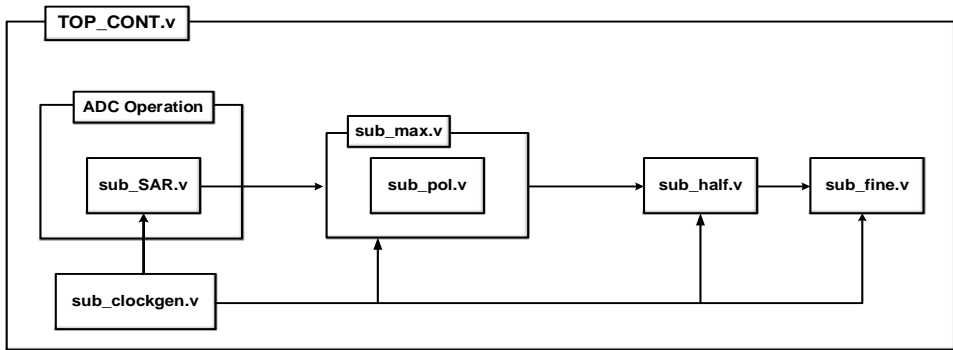
Electronic IC



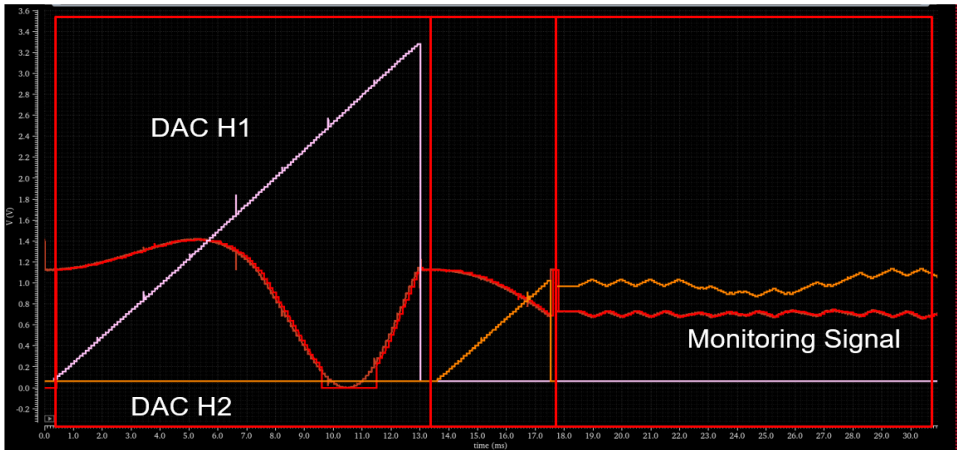
Photonic IC



Calibration algorithm



Calibration process



2023~ Plan

