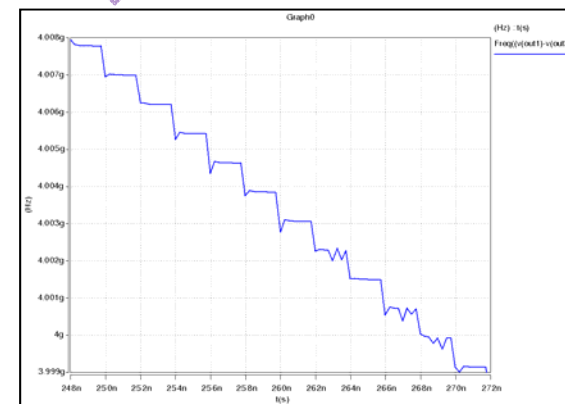
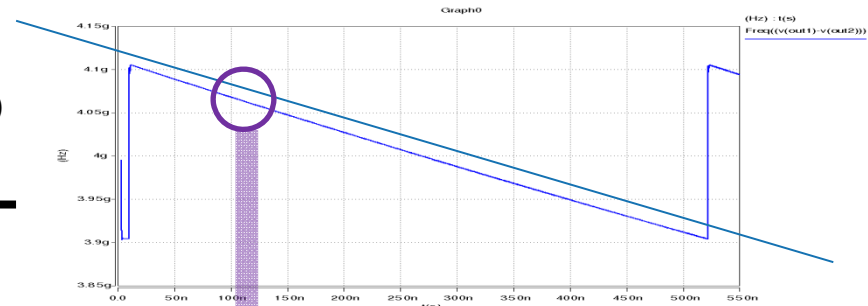
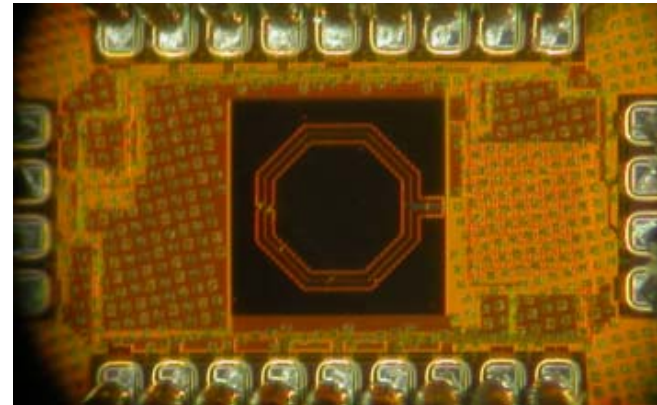
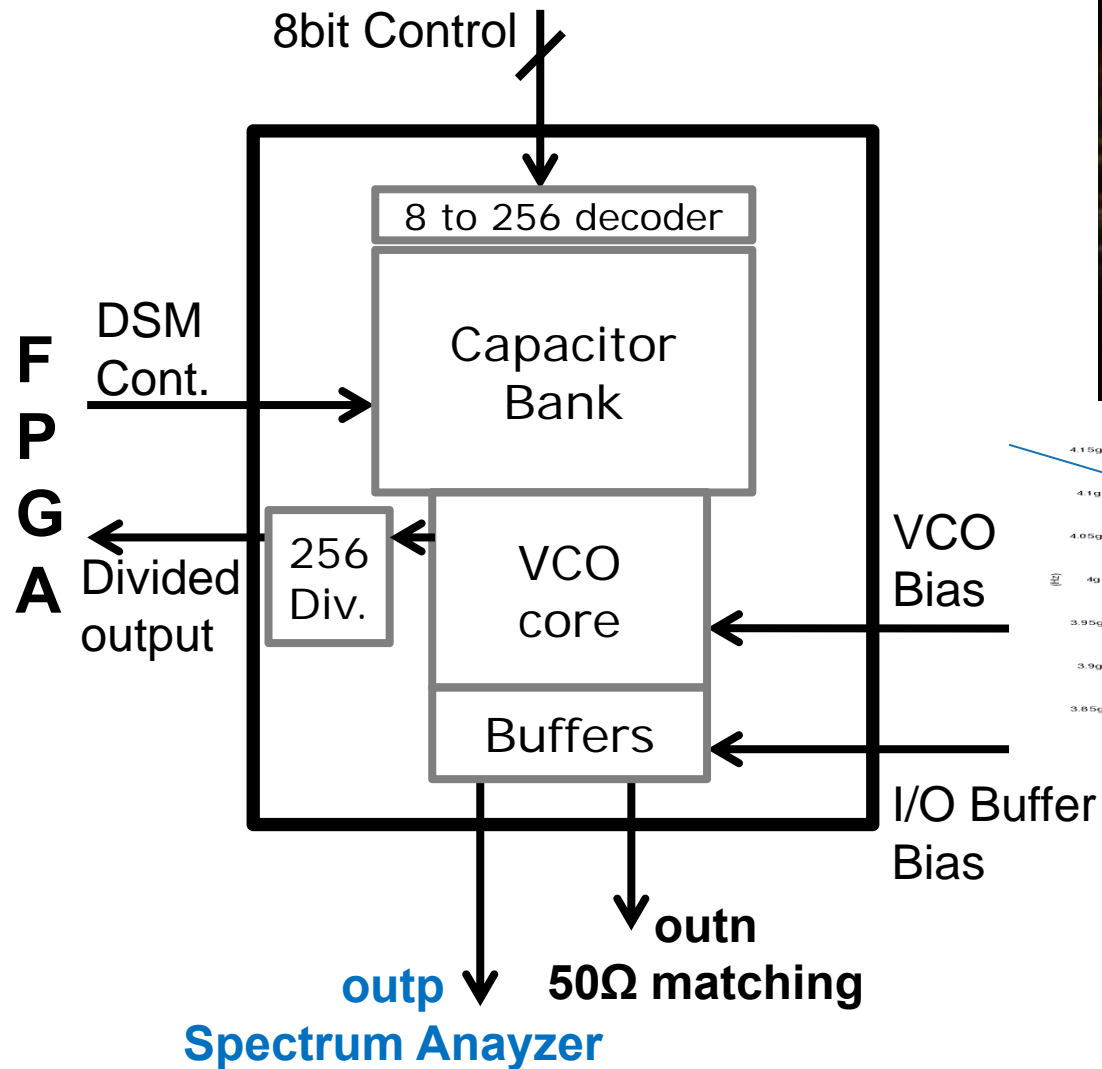


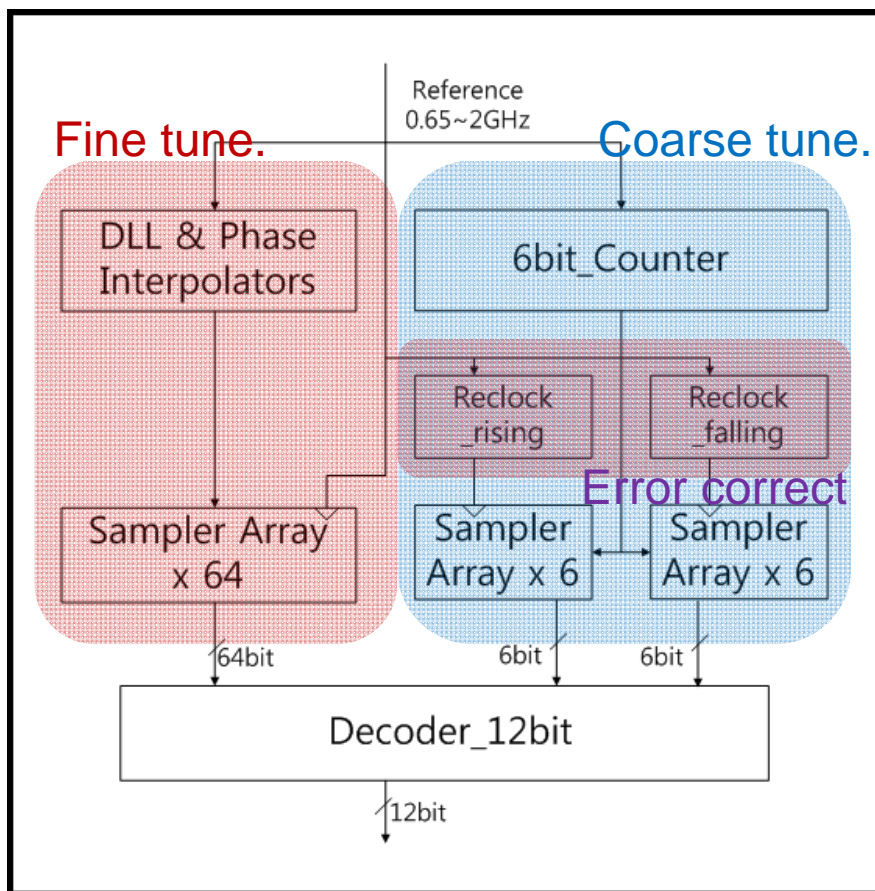
High Resolution Digital-Controlled Oscillator



High Resolution Time-to-Digital Converter

Block Diagram

- **Coarse Tuning : Counter**
- **Fine Tuning : DLL & Phase Interpolator**



Error Correction Process

