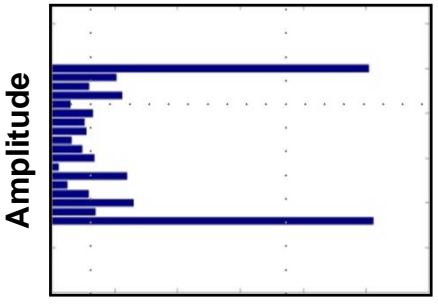
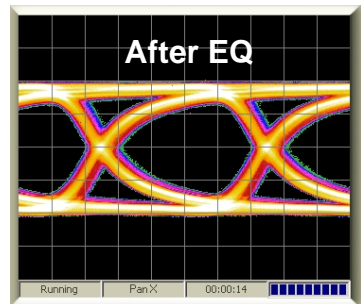
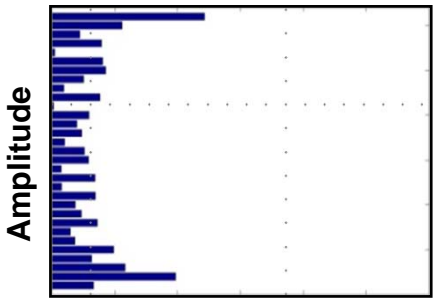
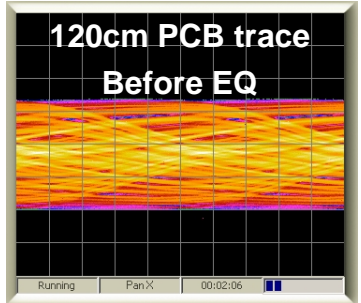
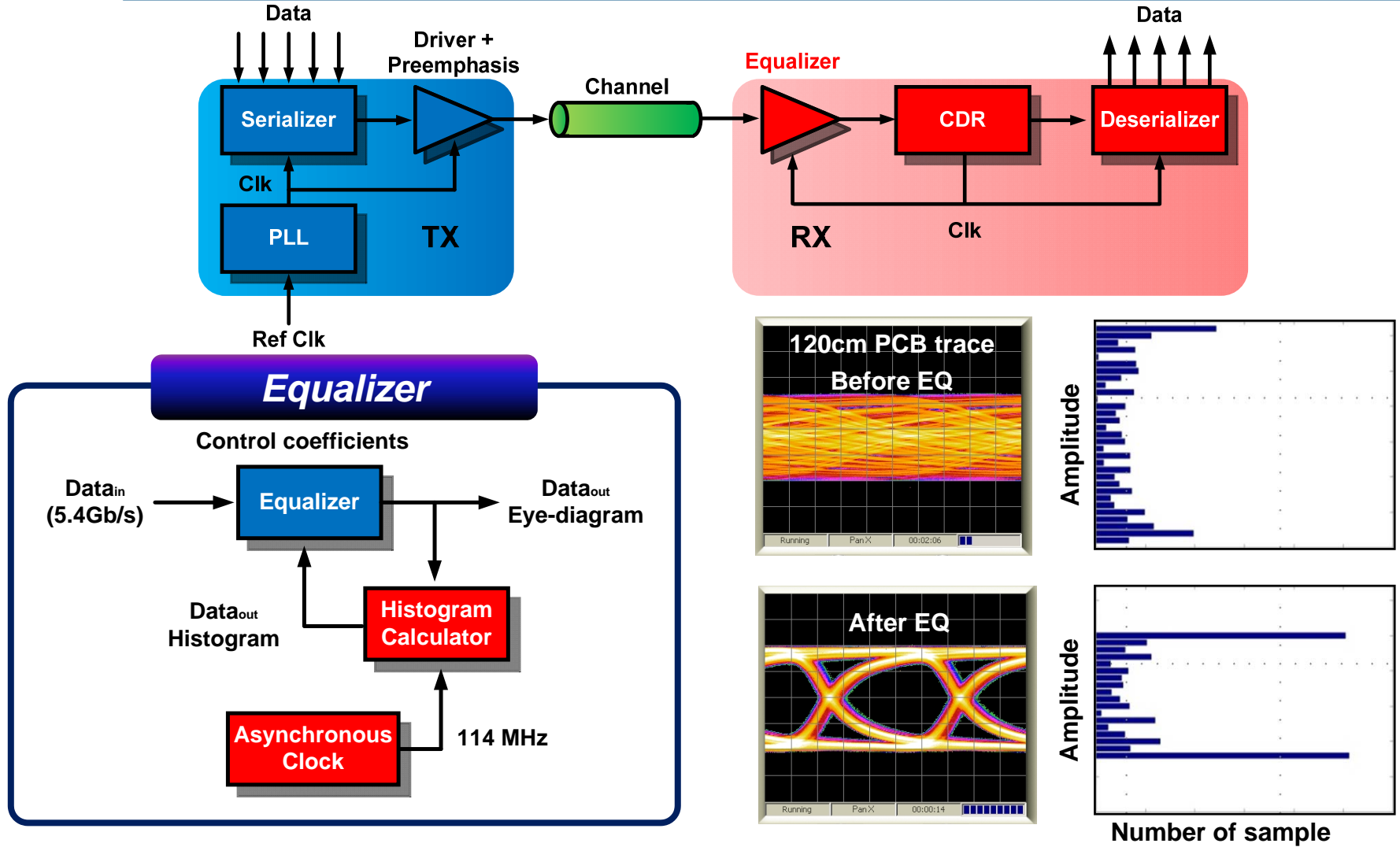
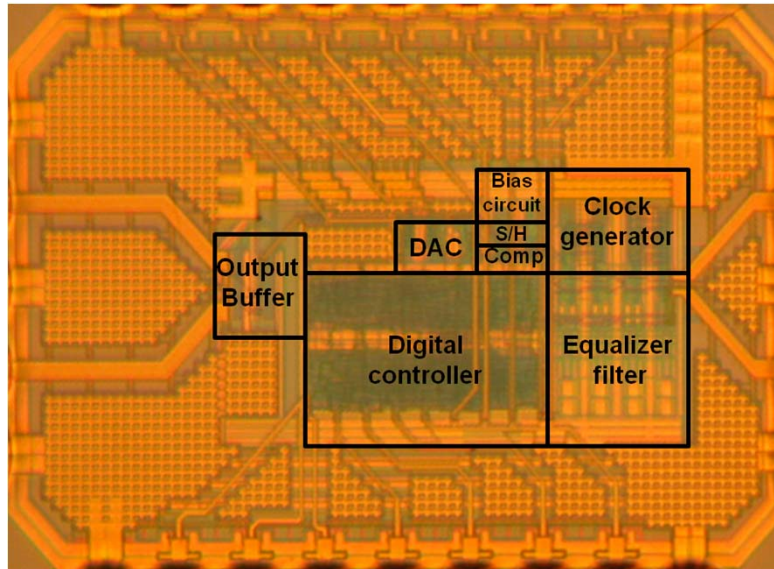


# High Speed Equalizer for Serial Interface



**5.4Gb/s Adaptive Equalizer using Asynchronous Under-Sampling Histogram !**

# High Speed Equalizer for Serial Interface



Die photographs of adaptive EQ



ISSCC 2011 Presentation

- **Successfully achieves equalization for 5.4-Gb/s  $2^{31}-1$  PRBS data through 40-cm, 80-cm, 120-cm PCB traces and 3-m DisplayPort cable.**
- **Simple and robust adaptive equalizer without clock synchronization.**
- **These results was presented in ISSCC 2011.**

**[A 5.4-Gb/s adaptive equalizer using asynchronous-sampling histograms]**